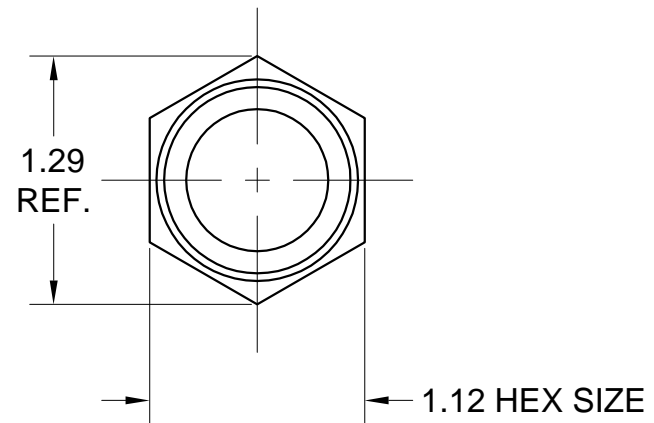
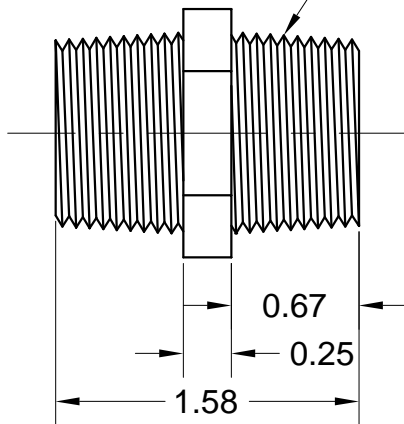


3/4"-14 NPT
2 PLACES



MATERIAL: FDA APPROVED NYLON 6	SCALE: 1:1	Premier Plastics, Inc. <i>"Quality Custom Plastic Injection Molding"</i> ISO 9001:2000 CERTIFIED 3902 Leavenworth Street Phone (402) 346-2998 Omaha, NE 68105 Fax (402) 346-7679 www.premierplasticsinc.com
	DRAWN: MLT DATE: 02-02-04	
COLOR: NATURAL	TOLERANCES UNLESS OTHERWISE NOTED X.XX ± 0.010 X.XXX ± 0.005	PART NAME: 3/4" NPT HEX CLOSE NIPPLE
		PART NO. PTCN-606 I.D. NO. P62-98